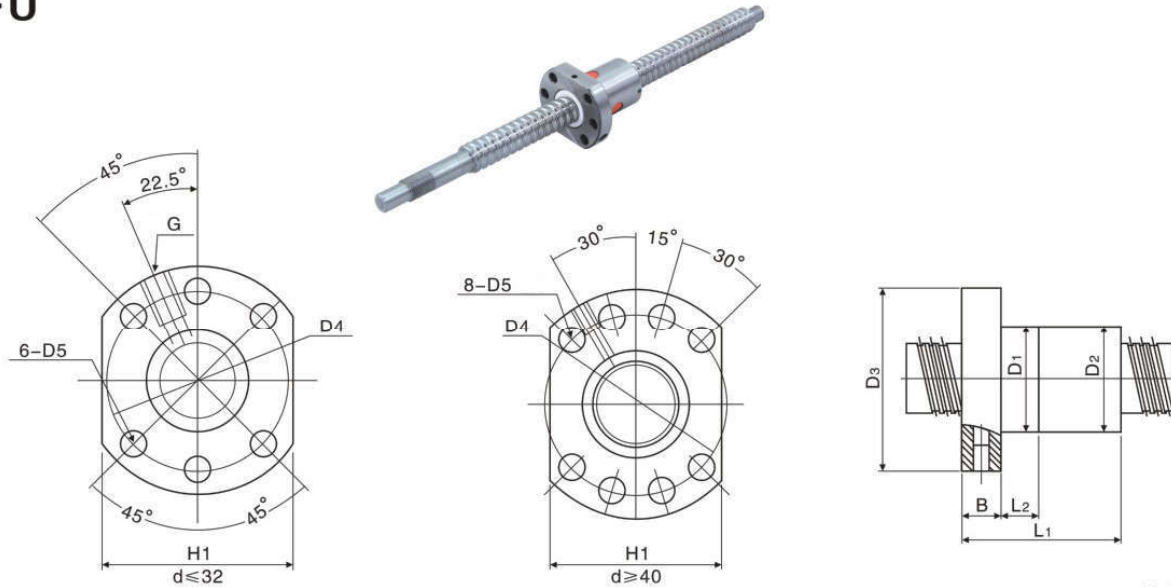


Ball Screw Single Nut Size Specification SFU

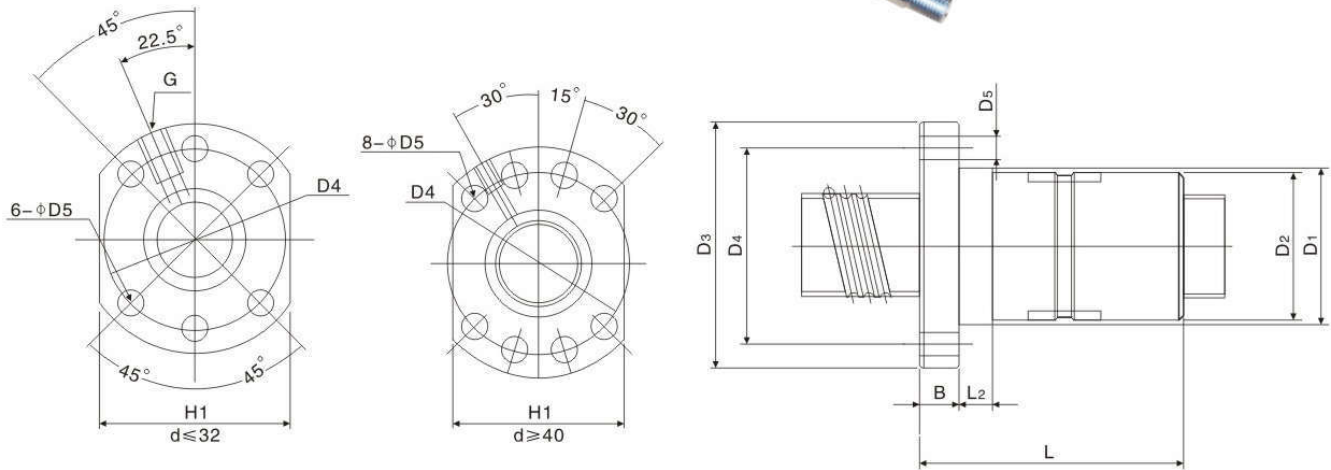


Unit: mm

Model No.	Dia-meter	Pitch	Ball Diameter	Flange Type	Cycle Number	Nut Installation Size										Rated Load (KN)	
						D1(g6)	D2-0.015	D3	D4	D5	L1	L2	B	G	H1	Dynamic Load Ca	Static Load Coa
SFU1204-3	12	4	2.381	d≤32	3	22	21.5	42	32	4.8	35	10	8	M6	30	4	6.7
SFU1604-3	16	4	2.381	d≤32	3	28	\	48	38	5.5	36	\	10	M6	40	4.35	9.2
SFU1605-3	16	5	3.175	d≤32	3	28	27.8	48	38	5.5	42	10	10	M6	40	7.65	13.2
SFU1610-2	16	10	2.778	d≤32	2(double)	28	27.8	48	38	5.5	42	10	10	M6	40	7.36	12.75
SFU2005-3	20	5	3.175	d≤32	3	36	35.8	58	47	6.7	42	10	10	M6	44	8.6	17.1
SFU2010-2 SFU2010-3	20	10	3.175	d≤32	2(double) 3(double)	36	35.8	58	47	6.7	42 52	10	10	M5	40	8.35	16.8
SFU2504-3	25	4	2.381	d≤32	3	40	\	62	51	6.6	40	\	10	M6	48	9.1	26.5
SFU2505-3	25	5	3.175	d≤32	3	40	39.5	62	51	6.6	42	10	10	M6	48	9.8	23
SFU2510-4	25	10	4.763	d≤32	3	40	39.5	62	51	6.8	85	16	15	M6	48	8.7	20.5
SFU3205-3	32	5	3.175	d≤32	5	50	49.5	80	65	9	55	10	12	M6	62	16.9	51
SFU3210-4	32	10	6.35	d≤32	3	50	49.5	80	65	9	90	16	12	M8X1	62	26.1	53.1
SFU4005-5	40	5	3.175	d≥40	5	63	62.5	93	78	9	55	10	14	M6	70	19	66.2
SFU4010-4	40	10	6.35	d≥40	3	63	62.5	93	78	9	93	16	14	M8X1	70	30.1	71
SFU5005-4	50	5	3.175	d≥40	4	71	70.5	110	90	9	55	16	14	M6	85	47.2	117.8
SFU5010-4	50	10	6.35	d≥40	4	75	74.5	110	93	11	95	16	16	M8X1	85	53.1	155
SFU6310-4	63	10	6.35	d≥40	5	90	\	125	108	11	97	\	18	M8X1	95	60.7	206
SFU8010-4	80	10	6.35	d≥40	5	105	\	145	125	13.5	98	\	20	M8X1	110	66.6	265



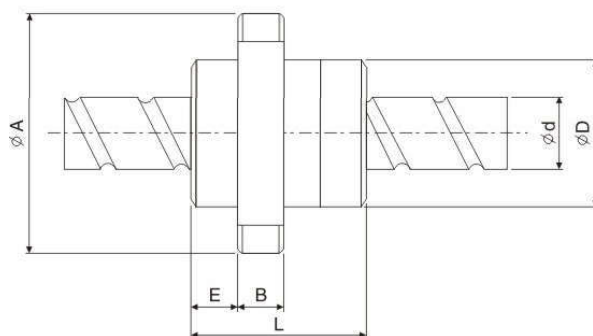
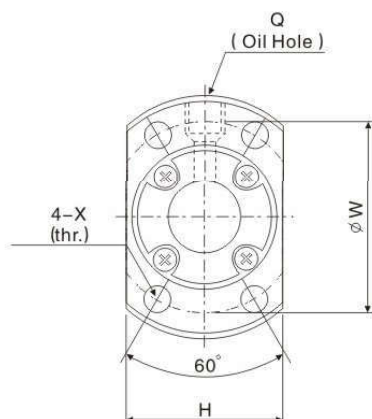
Ball Screw Double Nut Size Specification DFU



Unit: mm

Model No.	Dia-meter	Pitch	Ball Diameter	Flange Type	Cycle Number	Nut Installation Size										Rated Load (KN)	
						D1(g6)	D2 ^{0-0.015}	D3	D4	D5	L	L2	B	G	H1	Dynamic Load Ca	Static Load Coa
DFU1604-3	16	4	2.381	d≤32	3	28	\	48	38	5.5	72	\	10	M6	40	4.35	9.2
DFU1605-3	16	5	3.175	d≤32	3	28	27.8	48	38	5.5	80	10	10	M6	40	7.65	13.2
DFU2005-3	20	5	3.175	d≤32	3	36	35.8	58	47	6.7	82	10	10	M6	44	8.6	17.1
DFU2505-3	25	5	3.175	d≤32	3	40	39.5	62	51	6.6	82	10	10	M6	48	9.8	23
DFU3205-3	32	5	3.175	d≤32	5	50	49.5	80	65	9	102(106)	10	12	M6	62	16.9	51
DFU3210-3	32	10	6.35	d≤32	3	50	49.5	80	65	9	135	16	12	M8X1	62	26.1	53.1
DFU4005-4	40	5	3.175	d≥40	5	63	62.5	93	78	9	105	10	14	M6	70	19	66.2
DFU4010-4	40	10	6.35	d≥40	3	63	62.5	93	78	9	165	16	14	M8X1	70	30.1	71
DFU5010-4	50	10	6.35	d≥40	4	75	74.5	110	93	11	163	16	16	M8X1	85	53.1	155
DFU6310-4	63	10	6.35	d≥40	5	90	\	125	108	11	182	\	18	M8X1	95	60.7	206
DFU8010-4	80	10	6.35	d≥40	5	105	\	145	125	13.5	182	\	20	M8X1	110	66.6	265

Ball Screw Big Lead Size Specification SFE



I: Lead Da: Ball Dia n: Number of Circuits K: Stiffness (Kgf/μm)
 Ca: Basic Dynamic Rating Load (Kgf) Coa: Basic Static Rating Load (Kgf)

Unit: mm

Model No.	Dimensions															
	d	I	Da	D	A	E	B	L	X	W	H	Q	n	Ca	Coa	K
SFE1616-3	16	16	2.778	32	53	10.1	10	38	4.5	42	34	M6	1.7x2	650	1280	19
SFE1616-6		16	2.778	32	53	10.1	10	38	4.5	42	34	M6	1.7x4	1180	2550	36
SFE1632-3	16	32	3.175	34	55	10.5	10	34	5.5	45	36	M6	0.7x2	410	680	21
SFE1632-6		32	3.175	34	55	10.5	10	34	5.5	45	36	M6	0.7x4	820	1360	41
SFE2020-3	20	20	3.175	39	62	11.5	10	47	5.5	50	41	M6	1.7x2	980	2140	25
SFE2020-6		20	3.175	39	62	11.5	10	47	5.5	50	41	M6	1.7x4	1780	4280	49
SFE2040-3	20	40	3.175	38	58	11	10	41	5.5	48	40	M6	0.7x2	455	880	25
SFE2040-6		40	3.175	38	58	11	10	41	5.5	48	40	M6	0.7x4	910	1760	49
SFE2525-3	25	25	3.969	47	74	13	12	57	6.6	60	49	M6	1.7x2	1470	3350	31
SFE2525-6		25	3.969	47	74	13	12	57	6.6	60	49	M6	1.7x4	2660	6690	60
SFE2550-3	25	50	3.969	46	70	13	12	50	6.6	58	48	M6	0.7x2	685	1380	31
SFE2550-6		50	3.969	46	70	13	12	50	6.6	58	48	M6	0.7x4	1370	2760	60
SFE3232-3	32	32	4.762	58	92	16	12	71	9	74	60	M6	1.7x2	2140	5260	40
SFE3232-6		32	4.762	58	92	16	12	71	9	74	60	M6	1.7x4	3890	10500	76
SFE3264-3	32	64	4.762	58	92	15.5	12	62	9	74	60	M6	0.7x2	1000	2130	40
SFE3264-6		64	4.762	58	92	15.5	12	62	9	74	60	M6	0.7x4	2000	4260	77
SFE4040-3	40	40	6.350	73	114	19	15	89	11	93	75	M6	1.7x2	3410	8820	49
SFE4040-6		40	6.350	73	114	19	15	89	11	93	75	M6	1.7x4	6200	17600	95
SFE5050-3	50	50	7.938	90	135	21.5	20	107	14	112	92	M6	1.7x2	5100	13800	60
SFE5050-6		50	7.938	90	135	21.5	20	107	14	112	92	M6	1.7x4	7260	27600	117

Note: 1. "-3" means 2 starts, "-6" means 4 starts.

Note: 2. TBI Standard nuts are no seals, if required, please advise.